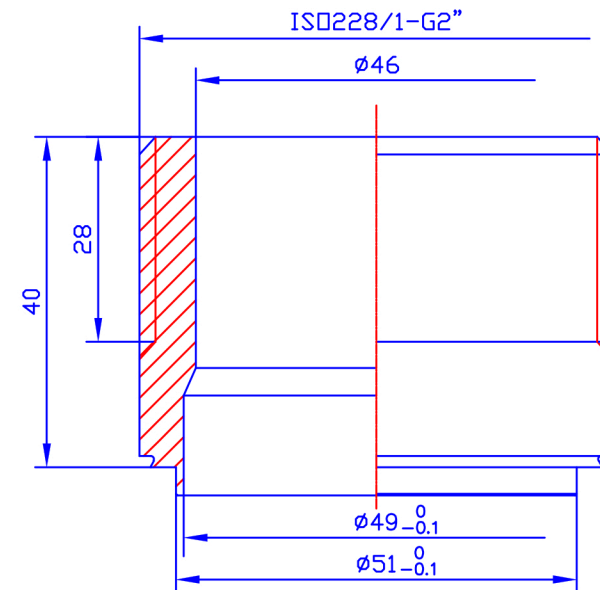
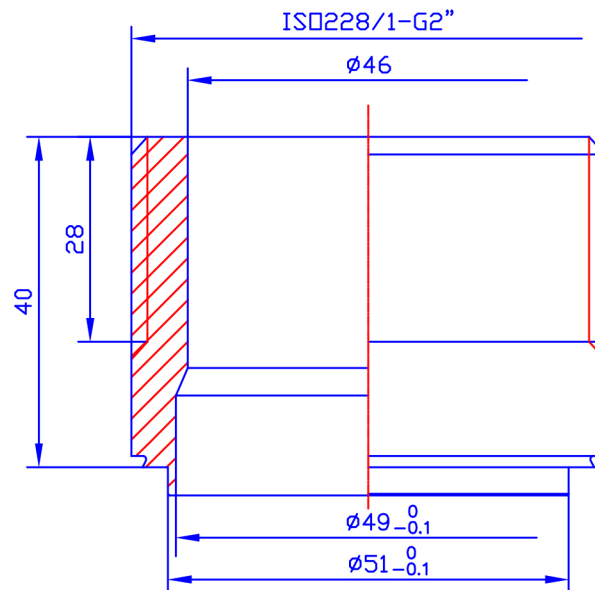


Q3 Q4

W520

Q1 Q2

W520



Drawing number	60951123301	60951123302
Number of plates	60D	80D
Plate package thickness	181	237
Design pressure(MPA)	3.0	3.0
Test pressure(MPA)	4.5	4.5
Operating temperature(°C)	-160~+200	-160~+200
Q1	G2"	G2"
Q2	G2"	G2"
Q3	G2"	G2"
Q4	G2"	G2"
H1		
H2		
H3		
H4		
60951123301	B3-095A-60D-3.0 (W520-Q3-Q4, W520-Q1-Q2)	
60951123302	B3-095A-80D-3.0 (W520-Q3-Q4, W520-Q1-Q2)	

